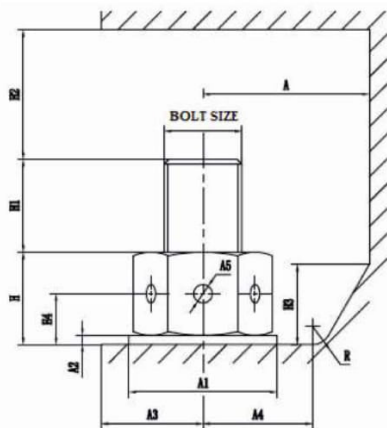


Features and Benefits:

- Relatively smaller dimension with higher
- Multi-stage design, maximize the tensioning Length
- Suitable for single type bolt tensioning, high
- Max. Pressure: 2,500 Bar
- Can be operated with ultra high pressure hand pump, air pump and electric pump

Customers can fill the form below for us to chose the right design of multi-stage bolt tensioners for your solutions.



THREAD _____

ADJACENT BOLT CENTER DISTANCE _____ mm.

BOLT TYPE(ROUND/HEX) _____

BOLT SIZE _____

BOLT TENSION FORCE _____ KN.

BOLT QTY. _____

WORKING TEM. _____ °C.

A: _____	MM	H: _____	MM
A1: _____	MM	H1: _____	MM
A2: _____	MM	H2: _____	MM
A3: _____	MM	H3: _____	MM
A4: _____	MM	H4: _____	MM
A5: _____	MM	R: _____	MM